

KAZIK 5 P LAR



ABOUT THE DEVICE

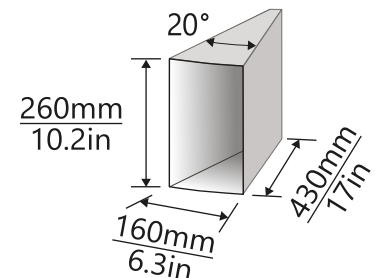
The **Kazik Polar** automatic machine is a combination of a dispensing cabinet with management software and a Rittal cooling system. Kazik Polar provides a solution to the problems associated with managing and issuing health and safety items/tools in the workplace. With its integrated cooling system, the Rittal Kazik Polar allows the storage of particularly sensitive chemical products, which due to their properties must be kept at a sufficiently constant temperature. Automatic door opening speeds up and simplifies distribution further reducing contamination.

PARAMETERS

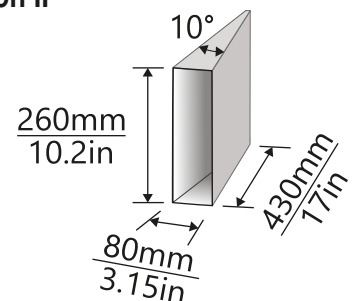
Height	201 cm / 79.14in
Width	110 cm / 43.31in
Depth	100,2cm / 39.45in
Number of bins in option I	90
Bins dimension in option I	16 x 26 cm
Number of bins in option II	180
Bins dimension in option II	8 x 26 cm
Device weight	430 kg
Network connection	Ethernet connection, Wi-Fi, mobile internet (work possibility without internet connection)
Supply voltage	230 V
Power consumption	Standby - max. 37W; at max. load does not exceed 64W

BINS

Option I



Option II



CONTACT

PSPG Polska Sp. z o.o.
227e Warszawska St.
05-092 Łomianki - Kielpin, Poland

+48 22 751 21 09,
+48 22 751 21 10
biuro@automatybhp.eu

www.automatybhp.eu

BENEFITS

- Secure and availability of articles
- 24 hours a day, 7 days a week
- Reduced consumption
- CONTROLLED acquiring of single or packaged articles
- Availability of articles near the workplace
- Ability to set limits
- Employee supervision
- and many others...

AIR CONDITIONER PARAMETERS

Total power refrigeration 50Hz L35 L35 kW at PN-EN 14511 kW	1,5	Refrigerant	R134a, 640
Total power refrigeration 50/60Hz L35 L35kW	1,5 / 1,5	Weight	38 kg
Total power refrigeration 50/60Hz L35 L50kW	1,5 / 1,5	Permissible operating pressure (bar)	25
Voltage nominal (V,~,Hz)	110 230, 1~, 50 / 60 240, 2~, 50 / 60 380 - 480, 3~, 50 / 60	Air performance of fans, internal circulation circuit m /h	700 / 900
Rated power kW	0,70		
Power consumption P _{ei} L35kW/L50kW	0,50 / 0,70		
Temperature range	-30°C...+60°C		
Setting range	+20°C...+50°C		
Coefficient of performance	3,0		

ABOUT THE DEVICE

The Kazik Polar automat is also equipped with the DET-AC Plus fire protection system from Rittal. The installation is equipped with an active smoke aspiration system in the unit as well as a fire alarm and a fire extinguisher. Thanks to this solution, the machine can store flammable chemicals. Installed fire-fighting system protects not only the machine itself, but also the entire environment in which the machine is located. Allowing you to work comfortably in a safe environment.

BENEFITS

- Automatic extinguishing with NOVEC 1230 gas, environmentally friendly, harmless to humans and IT
- Low space requirements
- Active smoke aspiration system and early fire detection
- Limitation of fire spreading to the inside of the automat only
- Safety of flammable articles
- and many more ...

PARAMETERS OF THE EXTINGUISHER

Weight of the whole system	approx. 15,5 kg including extinguishing agent and propellant cartridge	Volume of protection	max. 3 m
Nominal voltage V, Hz	230V, 50 / 60 Hz	Tank properties	material: aluminium tank capacity 2 L
Max. input power	230V=132VA / 115V=264VA	Extinguishing agent	Novec 1230 (poj.1.8 L)
Nominal input power	230V=132VA / 115V=264VA		
Emergency power supply	approx. 4 hours		
Ambient temperature	od 10°C do 35°C (work) od 20°C do 65°C (without battery) od 15°C do 40°C (with battery)		
Humidity	to 96%, non-condensing		
Airflow monitoring	approx. +/- 10% of the volumetric flow		
Category of protection	IP20		



CONTACT

PSPG Polska Sp. z o.o.
227e Warszawska St.
05-092 Łomianki - Kielpin, Poland

+48 22 751 21 09,
+48 22 751 21 10
biuro@automatybhp.eu

www.automatybhp.eu